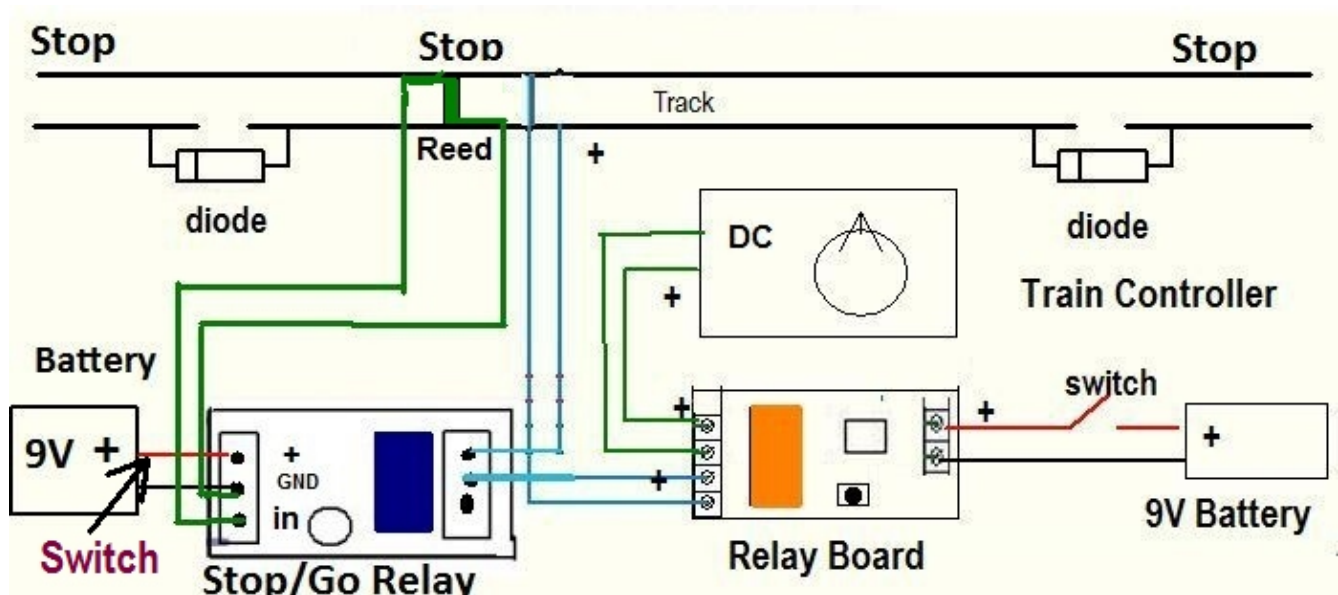
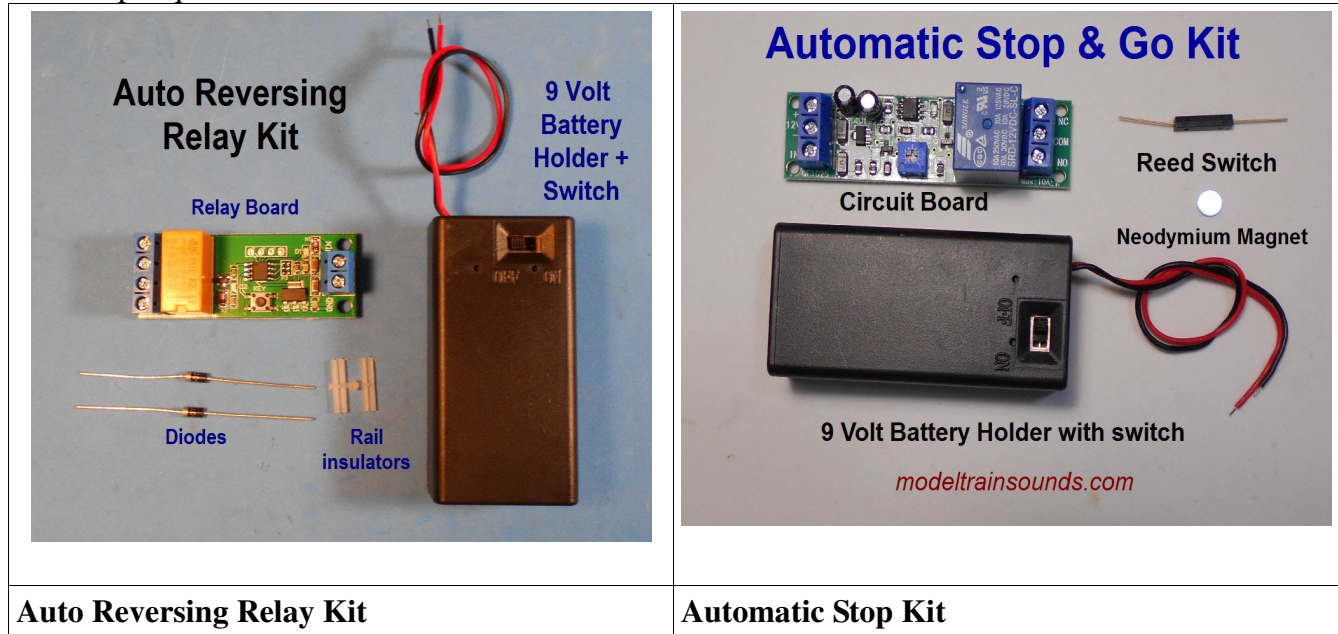


Setting up an additional Stop with the Auto-Reversing System

Robert Wilkins Oct 2022

It is possible to setup an intermediate stop when using the modeltrainsounds Auto-Reversing system along with a Stop and Go Relay kit. The additional stop will occur when the train or trolley travels in both directions of the point to point HO layout.

The setup require both kits



The setup is as follows

The power to the track goes from the Train Controller via the Auto-Reverse relay board and then to the Stop/Go relay. The reed switch is positioned at the point of the intermediate stop. Set the switch between and parallel to the track ties rather than across the ties. Make sure the wires do not touch the rails which could cause a short circuit. The auto-reversing board will need to be reprogrammed to add the time of the additional stop to the ON and OFF times..

Summary of Programming Auto-Reverse Relay Board.

Connect up the battery power to the board only.

- 1) Turn Switch ON (D1 blinks) Board enters the working mode.
- 2) With D2 OFF, Press & Hold till D1 comes ON Board is in SETUP mode
- 3) Press KEY twice (D1 goes out - D2 is already out)
- 4) Press KEY again (D1 blinks rapidly, let it blink for time desired)
- 5) Press KEY to stop (OFF time is programmed)
- 6) Press and Hold KEY again till both D1 & D2 light
- 7) Press KEY Twice (D1 goes out but D2 stays on)
- 8) Press KEY (D1 blinks rapidly, Let it Blink for ON time desired)
- 9) Press KEY to STOP. (ON time is programmed)
- 10) TURN Switch OFF then ON (D1 blinks). D2 now cycles OFF then ON to the new programmed times in working mode



Notes:

- * The timing for the additional STOP is set by the potentiometer on the Stop/Go relay board.
- * Instructions for setting up the boards are found at the website modeltrainsounds.com. Auto-Reversing System (Project 16) and Stop/Go System (Project 17 using Option 2).
- * A power distribution Board could be used along with an AC to 9VDC board could be used to power both boards eliminating the need for the 9 Volt battery packs. (Project 21)
- * A bidirectional LED Lighted End of Track Indicator can also be added at each end RED as train approaches, GREEN on departure.
- * The system will work on HO or On30. For S and O scale a 2 amp diodes are recommended.
- * If an additional stop is required another reed switch can be attached to the Stop/Go relay Trigger ports.
- * During the intermediate STOP all power to the track is OFF including to any bumpers

